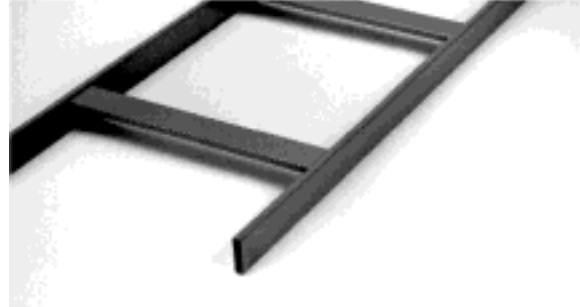


# Product Information Sheet

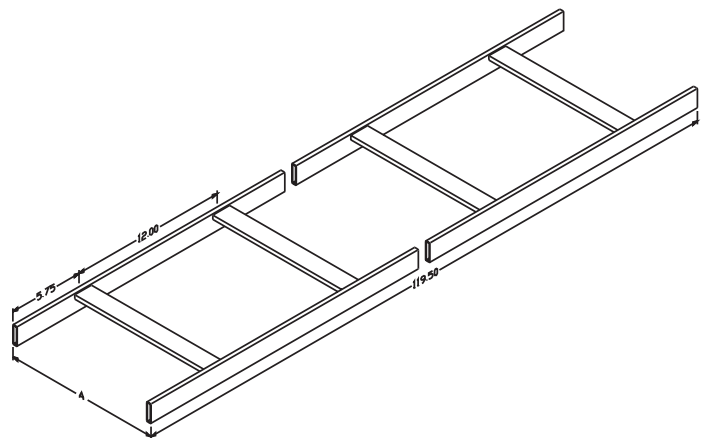
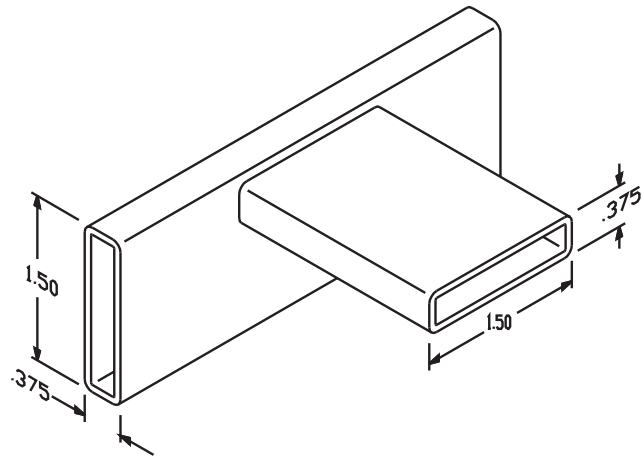
## UNIVERSAL CABLE RUNWAY

Our most popular cable runway is designed for value conscious customers. This basic Cable Runway offers the industry standard features you've come to expect. With the runway supported every five feet, maximum load with minimal deflection is 135 lb/ft.

- Made of 3/8" x 1-1/2" x .065" wall rectangular steel tubing
- Cross members welded at 12" intervals
- Individually boxed to prevent scratches and damage
- Standard length is 9' 11-1/2"



Part Number Gray	Part Number White	Part Number Black	Width (Dim. A)	Shipping Weight
10250-104	10250-204	10250-704	4"	18 lb
10250-106	10250-206	10250-706	6"	19 lb
10250-109	10250-209	10250-709	9"	20 lb
10250-112	10250-212	10250-712	12"	25 lb
10250-115	10250-215	10250-715	15"	27 lb
10250-118	10250-218	10250-718	18"	29 lb
10250-124	10250-224	10250-724	24"	32 lb



800-834-4969 in US & Canada • [www.chatsworth.com](http://www.chatsworth.com)



CHATSWORTH PRODUCTS, INC.