


BOSCH

Invented for life

VIP XD Single / Quad Stream Decoder



- ▶ Single / quad stream decoder
- ▶ MPEG-4 and MPEG-2
@ full D1/4CIF/2CIF/Half D1/CIF/QCIF
- ▶ Ultra-compact in size
- ▶ Multicasting
- ▶ Fast Ethernet interface
- ▶ Alarm inputs & relay output
- ▶ Serial data port
- ▶ Audio model

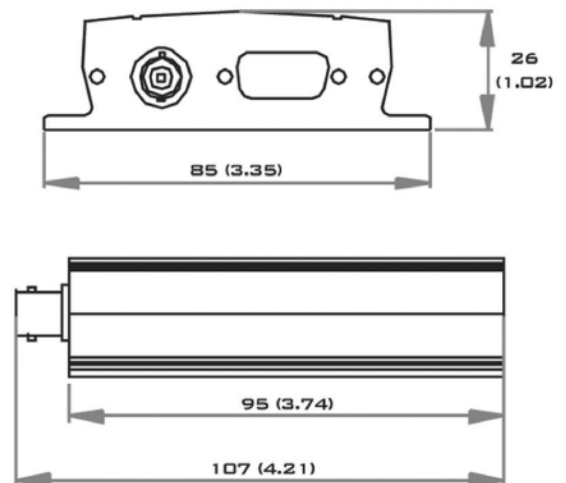
The VIP XD displays DVD like quality MPEG-4 and MPEG-2 encoded video at up to 30 images per second from PAL or NTSC sources over IP networks.

The video connections can be established automatically by the encoder or decoder or with the video management system VIDOS. The VIP XD can be set up to display video in single-view or quad-view mode. It is capable of decoding up to 4 video streams at the same time. The viewing mode can be controlled remotely by a management system like VIDOS. The VIP XD can alternatively drive a VGA display directly, and thus is ideally suited for applications like flat-screen monitor walls.

The VIP XD is available as audio model, providing one-channel bidirectional audio communication in parallel to video.

Besides the standard line level interface, it has integrated amplifiers to directly connect to microphone and speaker. Ultra-compact in size the VIP XD is perfect for any application that depends on space-saving solutions.

Installation/Configuration Notes



Dimensions in mm (inches)



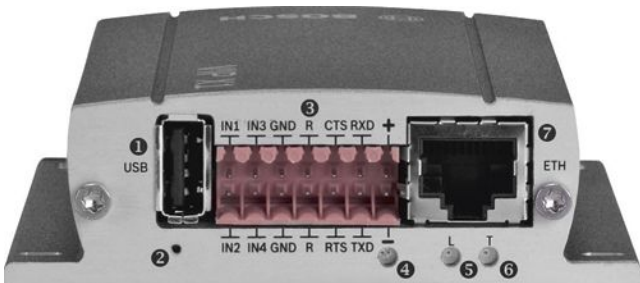
Front view VIP XD, non audio model

- 1 Video Out
- 2 VGA



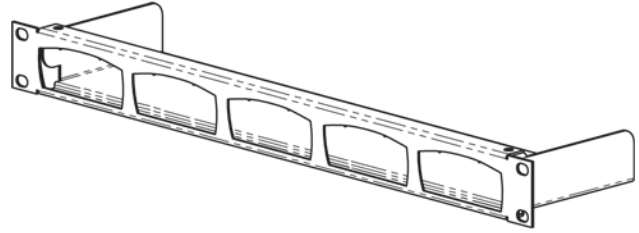
Front view VIP XD audio model

- 1 Video Out
- 2 Line In
- 3 Microphone In , Speaker Out
- 4 Line out
- 5 VGA



Rear view all models

- 1 USB port
- 2 Reset: Factory Default
- 3 Alarm in, Relay out, Power, COM (RS 232/422/485)
- 4 LED Power
- 5 LED Link
- 6 LED Traffic
- 7 10/100 Base-T Fast Ethernet



Rack mount kit (optional)

Parts Included

Quantity	Component
1	VIP XD Single / Quad-Stream Decoder
1	international plug-in power supply
1	RS 232 Null modem cable
1	Quick installation Guide
1	CD-ROM containing manual, software and tools

Technical Specifications

Electrical

Video Standards	MPEG-4; MPEG-2
Video Data Rate	Max. 20 MBit/s (4 channels)
Video Resolution	704 x 576/480 (D1/4CIF: 25/30 IPS) 704 x 288/240 (2CIF: 25/30 IPS) 464 x 576/480 (2/3 D1: 25/30 ips) 352 x 576/480 (Half D1: 25/30 IPS) 352 x 288/240 (CIF: 25/30 IPS) 176 x 144/120 (QCIF: 25/30 IPS)
Overall Delay	MPEG-4: 120 ms
Network Protocols	RTP, Telnet, UDP, TCP, IP, HTTP, IGMP V2/V3, ICMP, ARP, SNMP
Software Update	Flash ROM, remote programmable
Configuration	Configuration Manager, Web browser
Interfaces	
Video Out	1x analog composite: NTSC or PAL; BNC connector 75 Ohm, 1 Vp-p / 5 %
VGA out:	RGB analog: 0.7 Vs-s / 5% Sub-D 15-pin connector, 1x VGA/SVGA;
Alarm In	4x clamp (non-isolated closure contact type), max. activation resistance 10 Ohm
Relay Out	1x clamp, 30 Vp-p, 2 A
Connectors	14 position spring clamp contact for alarm, relay and COM port
COM Port	1x RS 232/422/485, spring clamp contacts
USB Port	1x 2.0 external interface *
Ethernet	10/100 Base-T, auto-sensing, half/full duplex, RJ-45
Audio Model	
Audio Standard	G.711; 300 Hz - 3.4 kHz
Audio Data Rate	80 kBit/s
Audio Sampling Rate	8 kHz
Line In	Single channel via stereo jack 3.5 mm, 9 kOhm typ., 5.5 Vpp max.
Line Out	Single channel via stereo jack 3.5 mm, 16 Ohm min., 3 Vpp max.
Microphone In	CombiCon plug, 2kOhm typ., 2.8 Vpp max. -20dB, supply 2.3 V typ.
Speaker Out	CombiCon plug, 4 Ohm min., 6 Vpp max., power RMS 1 W
Environmental	
Input Voltage	12-24 VDC, spring clamp contact
Power Consumption	App. 7 VA
Power Supply Unit	VIPXPS111022 included in the box

Weight App.	0.3 kg (0.66 lb)
Operating Temp.	0 - 50 °C (32 - 122 °F) ambient temperature
Humidity	20 - 80%, atmospheric humidity (not cond.)
Approvals CE:	IEC 60950; UL 1950; J 60950; AS/NZS 3548; EN 55103-1, -2; EN 55130-4; EN 55022; EN 55024; EN 61000-3-2; EN 61000-3-3; FCC 47 CFR Ch.1 Part 15

*) future use

Ordering Information

Model | Description

VIPXD	MPEG-4 quad-channel decoder, USB, serial I/O, alarm in, relay
VIPXDA	MPEG-4 quad-channel decoder, USB, audio, serial I/O, alarm in, relay

Accessories

VIPRMK1HU	VIP X/10/1000 Rack Mount Kit (5 units in 1HU)
VIPXPS111022	Power supply

Europe, Middle East, Africa:
Bosch Security Systems B.V.
P.O. Box 80002
5600 JB Eindhoven, The Netherlands
Phone: +31 40 27 83955
Fax: +31 40 27 86668
emea.securitysystems@bosch.com
www.boschsecurity.com

Americas:
Bosch Security Systems
130 Perinton Parkway
Fairport, New York, 14450, USA
Phone: +1 800 289 0096
Fax: +1 585 223 9180
security.sales@us.bosch.com
www.boschsecurity.us

Asia-Pacific:
Bosch Security Systems Pte Ltd
38C Jalan Pemimpin
Singapore 577180
Phone: +65 6319 3450
Fax: +65 6319 3499
apr.securitysystems@bosch.com
www.boschsecurity.com

Represented by